

INSD020360IRWA

4x5MP (20MP) H265 Network Multi-Lens IR Dome W/SD Slot

- Four 5-MP 1/2.7" CMOS image sensor, low illuminance
- Simultaneous intelligent detection on all 4 channels
- H.265+ & H.264+ flexible coding
- Built-in IR LED, max IR distance: 30 m
- Intelligent detection: Area Protector, People Counting, Face Detection and more
- Micro SD card up to 256 GB

Unify your Security Solution

This new function was made to improve drastically your surveillance system efficiency and reduce your false alarms count. Area Protector allows you to custom your tripwires based on a specific object such as pedestrians or vehicles. Combined with real-time alerts on your monitoring device, this function will be key for any zone surveillance

Smart H.265+ & H.264+

STORM smart encoding technology can provide high-quality video with higher efficiency and can also reduce the cost of storage space and transmission adopting an advanced algorithm of auto stream control.

On-board Analytics

This camera responds accurately to specific events in a given area. Our algorithm enables Tripwire violations, intrusion detection, abandoned/missing objects and much more. Facilitate your viewing experience using on the edge analytics – one product, multiple features.



*Design and specifications are subjects to change without notice.



INSD020360IRWA

4x5MP (20MP) H265 Network
Multi-Lens IR Dome W/SD Slot

Product Specifications

Camera					
Image Sensor	Four 1/2.7" 5Megapixel CMOS image sensor with low illuminance				
Effective Pixels	2592 (H) × 1944 (V)				
RAM/ROM	4GB / 8GB				
Scanning System	Progressive				
Electronic Shutter Speed	Auto/Manual 1/3 s–1/100,000 s				
Minimum Illumination	0.005 Lux at F1.7 (Color,30 IRE); 0.0005 Lux at F1.7 (B/W,30 IRE); 0 Lux (Illuminator on)				
S/N Ratio	More than 56 dB				
IR Distance	30 m (98.4 ft)				
IR LEDs	8				
Camera Features					
Day/Night	Auto(ICR) / Color / B/W				
Backlight Compensation	BLC / HLC / DWDR				
White Balance	Auto / Natural / street lamp / Outdoor / Manual / Regional Custom				
Gain Control	Auto / Manual				
Noise Reduction	3D DNR				
Smart Illumination	Supported				
Defog / Image Rotation / Mirror	Yes				
Region of Interest	Yes (4 areas)				
Privacy Masking	8 areas				
Lens					
Lens Type	Motorized vari-focal				
Mount Type	φ14				
Focal Length	2.8 mm – 12 mm				
Max. Aperture	F1.7				
Viewing Angle	Horizontal: 100°–42°; Vertical: 74°–32°; Diagonal: 133°–53°				
DORI Distance	Lens	Detect	Observe	Recognize	Identify
	2.8 mm	66 m (217 ft)	26.4 m (86.61 ft)	13.2 m (43.31 ft)	6.6 m (21.65 ft)
	12 mm	140.4 m (461 ft)	56.1 m (184 ft)	28.8 m (94.49 ft)	14 m (45.63 ft)
Video					
Compression	H.265+, H.264+, H.265, H.264, MJPEG (only supported by the sub stream)				
Resolution	Single Stream: 5M (2592 × 1944); 2560 × 1440; 3M (2048 × 1536); 2304 × 1296; 1080p (1920 × 1080); 1.3M (1280 × 960); 720p (1280 × 720); D1 (704 × 576/704 × 480); VGA (640 × 480); CIF (352 × 288/352 × 240); Flex Stream: 8M (3296 × 2472); 5M (2592 × 1944); UXGA (1600 × 1200); 1080p (1920 × 1080); 1.3M (1280 × 960); D1 (704 × 576/704 × 480); VGA (640 × 480); CIF (352 × 288/352 × 240)				
Frame Rate	Single Stream: Main Stream: 2592 × 1944 at 1–25/30 fps				
	Sub stream: 704 × 576 at 1–25 fps		Third stream: 1920 × 1080 at 1–25/30 fps		
	704 × 480 at 1–30fps				
	Flex Stream: Main Stream: 1600 × 1200 at 1–25/30 fps				
	Sub stream: 704 × 576 at 1–25 fps		Third stream: 3296 × 2472 at 1–25/30 fps		
704 × 480 at 1–30fps					
*The values above are the max. frame rates of each stream; for multiple streams, the values will be subjected to the total encoding capacity.					
Bit Rate	H.264: 32 kbps–17152kbps; H.265: 12 kbps–10240 kbps				

*Design and specifications are subjects to change without notice.



INSD020360IRWA

4x5MP (20MP) H265 Network
Multi-Lens IR Dome W/SD Slot

Product Specifications

Audio	
Audio Compression	PCM; G.711a; G.711Mu; G.726; G.723
Audio I/O	1/1 RCA ports
Alarm	
Alarm Event	No SD card; SD card full; SD card error; network disconnection; IP conflict; illegal access; motion detection; video tampering; intrusion; tripwire; fast moving; abandoned object; missing object; loitering detection; people gathering; parking detection; scene changing; audio detection; voltage detection; defocus detection; external alarm; face detection; people counting in area; stay detection; abnormal number of people detection; people counting; people stay detection; security exception
Alarm I/O	3 channel in: 5mA 3V–5 VDC 2 channels out: 300 mA 12 VDC
Certification	
Certifications	CE-LVD: EN62368-1; CE-EMC: Electromagnetic Compatibility Directive 2014/30/ EU; FCC:47 CFR FCC Part 15, Subpart B; UL/CUL: UL62368-1 & CAN/CSA C22.2 No. 62368-1-14
Interface	
RS-485	1 (baud rate range:1200 bps–115200 bps)
Network	
Network	RJ-45 (10/100/1000 Base-T)
SDK AND API	Yes
Cyber Security	Configuration encryption; trusted execution; Digest; security logs; WSSE; Account lockout; syslog; Video encryption; 802.1x; IP/MAC filtering; HTTPS; trusted upgrade; trusted boot; firmware encryption; generation and importing of X.509 certification
Storage	NAS; SFTP; FTP; Micro SD Card up to 256 GB
Management Software	STORM, STORM+, ARKIV
Protocol	IPv4; IPv6; HTTP; TCP; UDP; ARP; RTP; RTSP; RTCP; RTMP; SMTP; FTP; SFTP; DHCP; DNS; DDNS; QoS; UPnP; NTP; Multicast; ICMP; IGMP; NFS; SAMBA; PPPoE; SNMP
Compatibility	ONVIF (Profile S/Profile G/Profile T); CGI; Milestone; P2P
Browser	Chrome; IE; Firefox
Maximum User Access	20
General	
Power Supply	12 VDC/PoE+(802.3at)
Power Consumption	Basic power consumption: 7.4 W (12 VDC); 9.3W (PoE) Max. power consumption (basic + WDR + IR intensity + lens switch + power output): 21.3W (12 VDC); 24.7 W (PoE+)
Working Environment	–30 °C to +60 °C (–22 °F to +140 °F) Less than 95% RH
Protection Grade	IP67; IK10
Material	Metal + Plastic
Installation	Ceiling, Wall and Pole Mount
Dimensions	111.3 mm × Ø286.1 mm (4.38"× Ø11.26")
Weight	9.92 lbs (4.5 kg)

*Design and specifications are subjects to change without notice.



INSD020360IRWA

4x5MP (20MP) H265 Network
Multi-Lens IR Dome W/SD Slot

Product Specifications

AI+	
Area Protector	<ul style="list-style-type: none">• Intrusion detection, tripwire, and fast-moving object detection (these three functions facilitate accurate identification of vehicles and humans)• Detection of loitering, people gathering, and parked vehicles
People Counting	<ul style="list-style-type: none">• Tripwire for people counting and counting people in designated areas• Report generation and export for daily, monthly, and yearly data• Queue management with report export for daily and monthly data• Configuration of up to 4 rules for tripwire, people counting in areas, and queue management
Face Detection	<ol style="list-style-type: none">1. Face Detection and Tracking: Detecting faces; Tracking detected faces2. Face Snapshot Capture and Optimization: Capturing face snapshots; Optimizing captured face snapshots; Uploading optimized face snapshots3. Face Enhancement and Attributes Extraction: Enhancing face details; Adjusting face exposure; Extracting 6 face attributes: gender, age, glasses, expressions, mask presence, beard presence; Recognizing 8 expressions: angry, sad, disgusted, scared, surprised, calm, happy, confused4. Snapshot Configuration and Strategies: Setting face snapshots as standard face photos or one-inch photos; Applying snapshot strategies: real-time capture, quality prioritization, optimized snapshot; Applying face angle filter; Setting optimization time intervals
Smart Search	Work together with STORM AI NVR to perform refine intelligent search, event extraction and merging to event videos
Smart Detection	Abandoned object; missing object

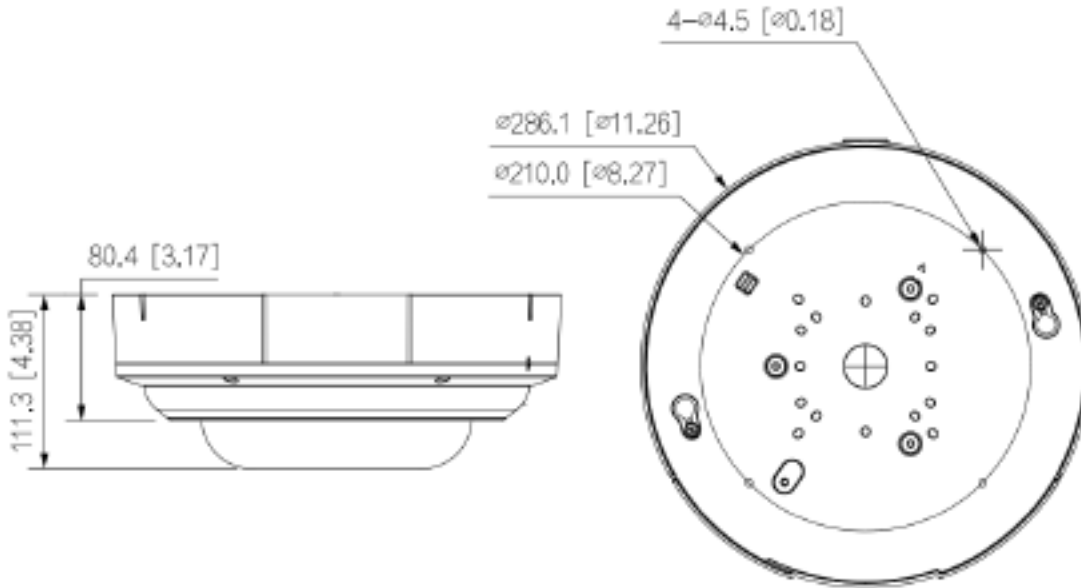
*Design and specifications are subjects to change without notice.



INSD020360IRWA

4x5MP (20MP) H265 Network
Multi-Lens IR Dome W/SD Slot

Product Specifications



**INSX303
Wall Mount**



**INSX111
Mount Adapter**



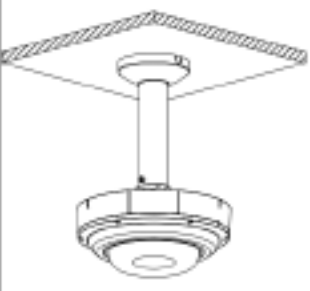

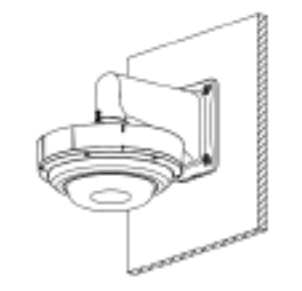
**INSX108
Mount Adapter**



**INSX300
Ceiling Mount**



**VUSD256GB
Micro SD Card**

Ceiling Mount		Wall Mount
INSX111 + INSX300 + INSX108		INSX111 + INSX303 + INSX108
		

*Design and specifications are subjects to change without notice.

